



# Network Processor with Integrated Ethernet Switch

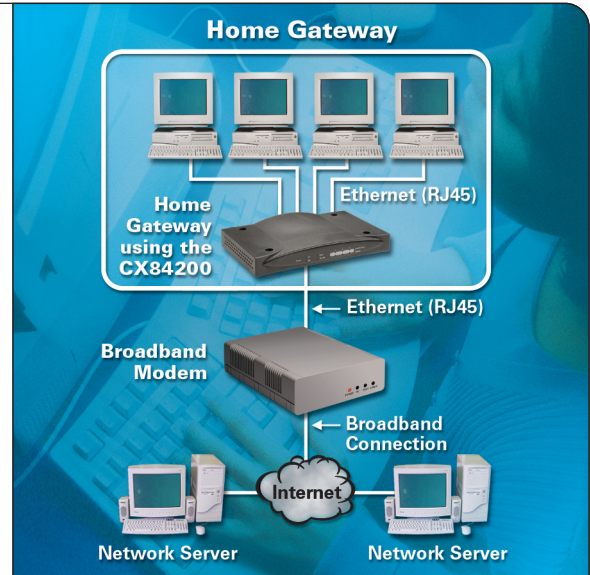
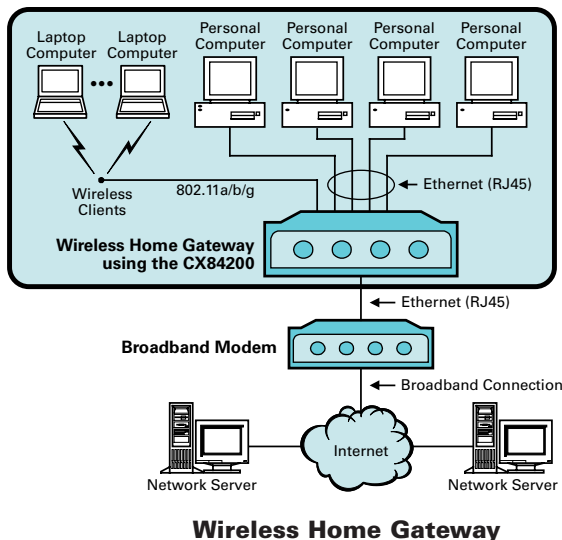
## CX84200

### Single-Chip Solution with Integrated Five-Port Ethernet Switch

Conexant's broadband communications portfolio includes a comprehensive suite of semiconductor solutions that enable the digital home and information network. The Conexant CX84200 Network Processor supports complete networking system solutions for a wide variety of mainstream applications in the residential and SOHO environments. Based on a 75 MHz ARM7TDMI, this Network Processor is a single-chip solution with an integrated switch that supports five 10/100 Mbps Ethernet ports.

In a Broadband Gateway application, the CX84200 Network Processor can provide Internet access sharing capability for multiple PCs, while supporting Ethernet, HomePNA (Phoneline), HomePlug (Powerline), IEEE 802.11 and other LAN-side networking platforms. For WAN access, the unit supports Ethernet connectivity interoperable with any broadband modem. It is the ideal platform for a configurable broadband gateway design that needs to accommodate many diverse WAN/LAN topologies.

The device complies with IEEE 802.3 specification and includes five embedded DSP-based 10Base-T/100Base-TX transceivers. An auto negotiation function determines the selection of either the 10Base-T or 100Base-TX mode. Typical applications would be a Wireless Home Gateway including an Ethernet WAN port to connect to a Broadband modem, four Ethernet LAN ports, and an 802.11b access connecting to any Wi-Fi compatible device.

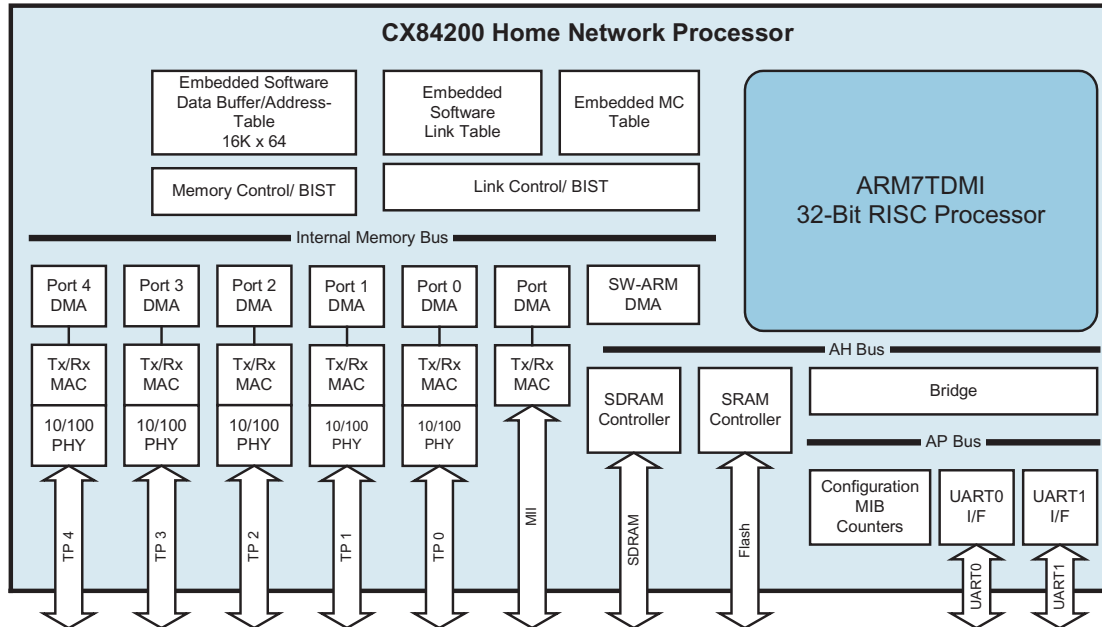


### CX84200 Distinguishing Features

- Single-chip, high-performance processor with five-port integrated Ethernet switch
- Can be easily integrated with various IEEE 802.11b solutions
- Supports HomePlug (Powerline) and HomePNA (Phoneline) through an MII interface

**Part Number** CX84200

**Description** Network Processor with Integrated Ethernet Switch



**CX84200 Home Network Processor block diagram**

## CX84200 Features

- 5 Ethernet ports, 1 MII
- Embedded RISC CPU, 75MHZ ARM7TDMI
- Embedded switch engine
  - Store-and-forward operation
  - Non-blocking, full line speed capability
  - Full-duplex (IEEE802.3x) and half-duplex flow control (Back pressure)
  - Two priorities CoS, set by port, VLAN tag, TCP/IP TOS, and customized type
  - 6 port grouping VLAN (overlappable)
  - MIB counters
  - Sharing dynamic data buffer management, embedded SSRAM
  - MAC look-up table read/write-able
  - MAC address level security
  - Bandwidth control
  - Hashing scheme: direct-map or XOR
- Embedded 10/100BaseT/TX PHY
  - DSP based design
  - 10BASE-T/100BASE-TX IEEE 802.3u Compliant
  - Digital Decision Feedback Equalizer
  - Integrated Baseline Wander Correction
  - 3 LEDs provided per port
- Flash interface (512Kx8, 512Kx16 up to 1Mx16)
- SDRAM interface (1Mx16x2 up to 4Mx16x2)
- 2 UART interface, one for the modem interface
- GPIO pins
- LAN / WAN bandwidth prioritized
- Single 25MHz crystal input for network
- 2.5/3.3V, 0.25u CMOS process, 208-pin PQFP

© 2002, Conexant Systems, Inc. All Rights Reserved. Conexant and the Conexant logo are trademarks of Conexant Systems, Inc. All other trademarks are owned by their respective owners. Although Conexant strives for accuracy in all its publications, this material may contain errors or omissions and is subject to change without notice. **THIS MATERIAL IS PROVIDED AS IS AND WITHOUT ANY EXPRESS OR IMPLIED WARRANTIES, INCLUDING MERCHANTABILITY, FITNESS FOR A PARTICULAR PURPOSE AND NON-INFRINGEMENT.** Conexant shall not be liable for any special, indirect, incidental or consequential damages as a result of its use.

**www.conexant.com**  
General Information:  
U.S. and Canada: (800) 854-8099  
International: (949) 483-6996  
Headquarters – Newport Beach  
4311 Jamboree Rd, P.O. Box C  
Newport Beach, CA 92660-3095

Order# 102089A

